



GT5005Di DIESEL INVERTER GENERATOR

5500W



Please ensure that you read this manual in full before using your machine and follow the maintenance and operation instructions carefully.

OPERATING INSTRUCTIONS

Contents

Introduction.....	3
Environmental Protection.....	3
Scope of Product.....	3
Specifications.....	3
Safety Information.....	4
Unpacking the Generator.....	6
Warning Labels.....	7
Symbols and Meanings.....	8
Configuration.....	10
Parts Diagram.....	10
Parts List.....	11
Common Parts Explained.....	12
Assembling the Generator.....	13
Preparation before Operating.....	13
Starting the Generator.....	15
Shutting Down the Generator.....	16
Transporting.....	17
Maintenance.....	18
Storage.....	20
Environmental Requirements.....	20
Troubleshooting.....	21
Calculating Your Power Needs	22
Warranty.....	23

Introduction

Welcome to the GT POWER family. By choosing GT POWER, a leader in reliable power solutions in New Zealand, you have secured a high-quality generator that adheres to stringent quality standards for superior performance. The GT5005Di is designed for a variety of applications including home use, camping, and emergency power situations, ensuring efficiency, reliability, and convenience. This manual will guide you through operation, maintenance, and safety information to help you enjoy many years of dependable service from your generator.

GT POWER is committed to customer satisfaction and supports this commitment with a comprehensive warranty program, demonstrating our confidence in the products we offer.



Environmental Protection

Recycle unwanted materials instead of disposing of them as waste. All tools, hoses and packaging should be sorted, taken to the local recycling centre and disposed of in an environmentally safe way.



Scope Of Product

This product is suited for home and camping, back-up power, rural and commercial applications.

Specifications

Model	GT5005Di
Rate Output:	5000W
Max. Output:	5500W
Engine Type:	Compact, efficient, and robust single-cylinder diesel
Inverter Type:	Pure Sine Wave for safe powering of sensitive electronics
Starting Method:	Electric Start
Power Outlets:	1x 32A, 1x 15A 230V 50Hz
Fuel Tank Capacity:	18L
Oil Type:	SAE10W30
Oil Capacity:	1.65L
Noise Level:	84 dBA
Dimensions (LxWxH):	610 x 510 x 640mm
Weight:	97kg
Additional Features:	Digital Engine Controller, LCD Display, Hour Meter, LOW OIL ALERT, Easy Maintenance Access

Safety Information

Read this manual carefully and become familiar with your generator. Know its applications, its limitations and any hazards involved.

Throughout this brochure, on tags and decals affixed to the generator, **DANGER**, **WARNING**, **CAUTION** and **NOTICE** marks are used to alert personnel with special instructions about a particular operation that may be hazardous if performed incorrectly, or carelessly. Observe them carefully. Their definitions are as follows:



DANGER: indicates a hazard which, if not avoided, will result in death or serious injury.



WARNING: indicates a hazard which, if not avoided, could result in death or serious injury.



CAUTION: indicates a hazard which, if not avoided, could result in minor or moderate injury.



NOTE: covers some practices which may not be related to personal injury.

A running engine gives off carbon monoxide, an odourless, colourless, poison gas. Breathing carbon monoxide could result in death, serious injury, headache, fatigue, dizziness, vomiting, confusion, seizures, nausea or fainting.

- Operate this product **ONLY** outdoors.
- Install a battery operated carbon monoxide alarm near the bedrooms.
- Keep exhaust gas away from entering a confined area through windows, doors, ventilation intakes, or other openings.

- NEVER operate this product inside any building, carport, porch, mobile equipment, marine applications, or enclosure, even if windows and doors are open.



WARNING: *Starter cord kickback (rapid retraction) will pull hand and arm toward engine faster than you can let go which could cause broken bones, fractures, bruises, or sprains resulting in serious injury.*

- When starting engine, pull cord slowly until resistance is felt and then pull rapidly to avoid kickback.
- NEVER start or stop engine with electrical devices plugged in and turned on.



WARNING: *Fuel and its vapours are extremely flammable and explosive which could cause burns, fire or explosion resulting in death, serious injury and/or property damage.*

When Adding or Draining Fuel

- Turn generator engine OFF and let it cool at least 2 minutes before removing fuel cap. Loosen cap slowly to relieve pressure in tank.
- Fill or drain fuel tank outdoors.
- DO NOT overfill tank, Allow space for fuel expansion.
- If fuel spills, wait until it evaporates before starting engine.
- Keep fuel away from sparks, open flames, pilot light, heat, and other ignition sources.
- Check fuel lines, tank, cap and fittings frequently for cracks or leaks. Replace if necessary.
- DO NOT light a cigarette or smoke.

When Starting Equipment

- Ensure muffler, fuel cap and air cleaner are in place.

When Operating Equipment

- DO NOT operate this product inside any building, carport, porch, mobile equipment, marine applications or enclosure.
- DO NOT tip engine or equipment at angle which causes fuel to spill.
- DO NOT stop engine by moving choke control to "OFF" position.

When Transporting or Repairing Equipment

- Transport/move/repair with fuel tank EMPTY or with fuel valve OFF.
- DO NOT tip engine or equipment at angle which cause fuel to spill.

When Storing Fuel or Equipment with Fuel in Tank

- Store away from furnaces, stoves, water heaters, clothes dryers, or other appliances that have light or other ignition source because they could ignite fuel vapours.



WARNING: Generator voltage could cause electrical shock or burn resulting in death or serious injury.

- Use approved transfer equipment to prevent back feed by isolating generator from electric utility workers.
- When using generator for backup power, notify utility company.
- Use a ground fault circuit interrupter in any damp or highly conductive area, such as metal decking or steel work.

- DO NOT touch bare wires or receptacles.
- DO NOT use generator with electrical cords which are worn, frayed, bare or otherwise damaged.
- DO NOT operate generator in the rain or wet weather.
- DO NOT handle generator or electrical cords while standing in water, while bare-foot, or while hands or feet are wet.
- DO NOT allow unqualified persons or children to operate or service generator.



WARNING: Exhaust heat/gases could ignite combustibles, structures or damage fuel tank causing a fire, resulting in death, serious injury and/or property damage. Contact with muffler area could cause burns resulting in serious injury.

- DO NOT touch hot parts and AVOID hot exhaust gases.
- Allow equipment to cool before touching.
- Keep at least 5 feet (1.5m) of clearance on all sides of generator including overhead.



CAUTION: Excessively high operating speeds could result in minor injury and/or generator damage. Excessively low speeds impose a heavy load.

- DO NOT tamper with governor spring, links or other parts to increase engine speeds. Generator supplies correct rated frequency and voltage when running at governed speed.



WARNING: Unintentional sparking could cause fire or electric shock resulting in death or serious injury.

Other Safety Precautions

- DO NOT exceed the generator's wattage/ amperage capacity.
- Start generator and let engine stabilise before connecting electrical loads.
- Turn electrical loads OFF and disconnect from generator before stopping generator.



NOTE: *Improper treatment of generator could damage it and shorten its life.*

- Use generator only for intended uses.
- If you have questions about intended use, ask dealer or contact local service center.
- Operate generator only on level surfaces.
- DO NOT expose generator to excessive moisture, dust, dirt, or corrosive vapor.
- DO NOT use in the rain.
- DO NOT insert any object through cooling slots.
- If connected devices overheat turn them off and disconnect them from generator.
 - or if electrical output is lost.
 - or if equipment sparks, smokes, or emits flames.
 - or if unit vibrates excessively.

Unpacking the Generator

- Set the carton on a rigid flat surface.
- Remove everything from carton except generator.
- Open carton completely by cutting each corner from top to bottom.
- Leave generator on carton to install wheel kit.

Packing Contents

- 1 x Owner's Manual
- 4 x Wheels
- 1 x Handle Assembly
- 2 x Wheel Axles
- 1 x Extension Housing
- 1 x Generator Set
- 1 x 1.65L Engine Oil
- 1 x Hardware Bag (includes 1 x Spark Plug Socket, 1 x Extension Tool, 1 x Funnel)
- 1x 15A Adapter Cable

Warning Labels

Warning labels on the machine are to remind you of the safety regulations.

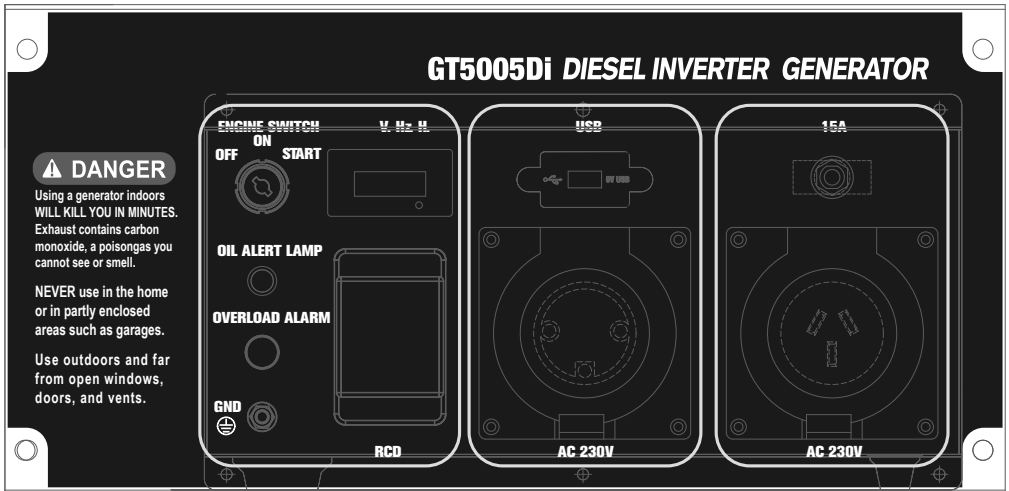
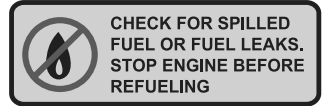
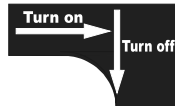


AIR CLEANER MAINTENANCE
Do not use detergent to clean the filter element of the air cleaner. Replace the filter element every 50-100 hours. If the output power drops or the color of the exhaust gas changes, replace the filter element.

186FE



GT5005Di	
Rated voltage:230V	Rated current:21.7A
Rated frequency:50Hz	Rated speed:3600rpm
Rated power:5kW	Max power:5.5kW
Power:CP186FE	Start mode:Recoil/Electric



Symbols and Meanings

The rating plate on your tool may show symbols. These represent important information about the product or instructions on its use.

V	Voltage		This is an electrical device. Follow instructions or electric shock may occur.
A	Current		Do not touch while operating.
Hz	Frequency (1Hz = 60r/min)		High temperatures and open fire could cause fuel tank to explode. Operate cautiously.
W	Power		Equipment will get hot during operation. Be careful not to scald skin.
RPM	Engine speed		Ensure generator is safely grounded before operating.
PF	Load transfer efficiency		Do not use the plug or electric device in the rain or get generator wet.
G1	Generator		Add engine oil
	Output power performance rate		Add fuel
5405	Conforms to relevant standards for electromagnetic compatibility		Wear hearing, eye and breathing protection.



Read the safety instructions before using the generator.



Only fill the generator in well-ventilated areas and keep it away from open flames sparks and cigarettes. Spilled fuel should be soaked up immediately. Switch off the engine and let it cool down before filling the generator. Fuel is easily flammable and may even explode under certain circumstances.



Gases such as carbon monoxide (colourless and odourless gas) are produced during operation which may lead to suffocation. Only use the generator in well ventilated areas.



Warning! Dangerous voltages are present when the generator is in operation. Generator must always be switched off before performing maintenance works.

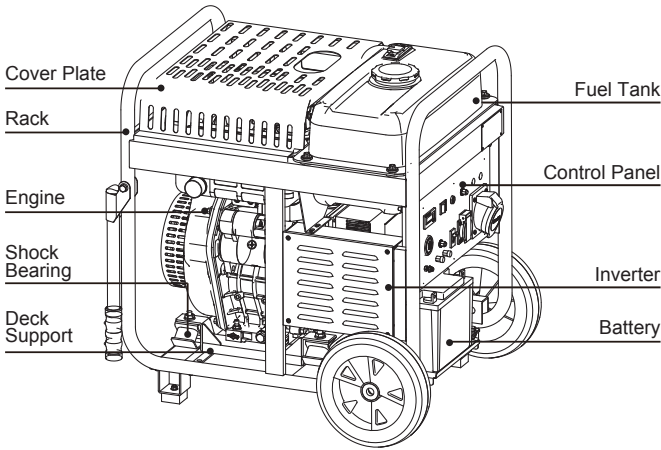


Wear ear protection when operating the generator. Disconnect all devices from the connections before performing maintenance works, before leaving the device and after switching it off.

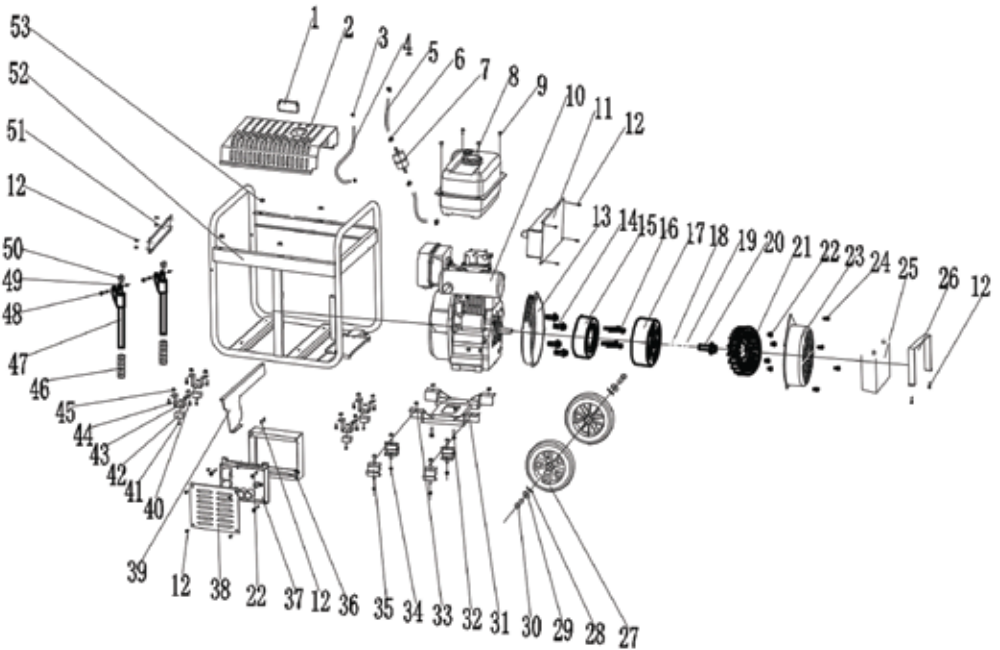


The generator may not be connected to the public power supply. When the device is falsely connected there is a risk of fire material damage and even a fatal electric shock being suffered by the operator as is also the case when performing works on the public power supply.

Configuration



Parts Diagram



Parts List

No.	Part.	Description
1	20184-00005-00	handle
2	33013-01432-00	engine cover
3	34024-00024-00	clamps
4	34023-00079-00	fuel pipe
5	34023-00258-00	fuel pipe
6	34024-00003-00	clamps
7	70010-02990-00	diesel filter
8	20130-00638-00	fuel tank
9	30101-00711-01	bolt
10	20260-05823-00	engine
11	20114-07986-00	control pannel
12	30101-00339-00	bolt
13	33136-00026-00	connecting plate
14	30101-00361-00	bolt
15	20005-00343-00	stator
16	30101-00420-00	bolt
17	20006-00099-00	rotor
18	30101-00492-02	bolt
19	30136-00123-00	washer
20	30139-00044-00	spring washer
21	33155-00114-00	fan
22	30101-00459-00	flange bolt
23	33082-00244-00	alternator end cover
24	30101-00341-00	bolt
25	31002-00069-00	battery
26	20217-00228-00	battery pressure plate
27	20134-00024-00	wheel assembly
28	34006-00020-00	locating pin clamp
29	30136-00086-00	washer

30	34031-00216-00	axle
31	20249-00605-00	supporting component
32	30101-00738-00	bolt
33	30125-00031-00	nut
34	30125-00030-00	nut
35	34030-00049-00	shock absorb seat
36	20032-00219-00	Inverter box
37	20136-00548-01	inverter component
38	33013-00643-00	inverter cover plate
39	34021-00475-00	inverter windshield
40	30101-00457-00	bolt
41	30101-00405-00	bolt
42	34030-00082-00	shock absorb rubber washer
43	20014-00154-00	support assembly
44	30125-00019-00	nut
45	30125-00083-00	nut
46	33015-00008-00	handle rubber sleeve
47	20135-00460-00	handle tube assembly
48	30101-00374-02	bolt
49	30125-00023-00	flange nut
50	33126-00144-00	plug
51	34040-01029-00	beam
52	20090-02024-00	frame assembly
53	33015-00028-00	cover plate rubber sleeve

Common Parts Explained

Fuel Tank

Is used to hold fuel, use diesel fuel only.

Fuel Tank Cap

Is used to seal fuel tank - do not open it when machine is in operation.

Fuel Gauge

Indicates fuel level in the fuel tank.

AC Output

Provides the power supply. Refer to model's parameter table for its rated power. Load of each socket cannot exceed its rated current and total power of electric device cannot surpass rated power of the generator. Do not start up several electric devices simultaneously but switch on another one after stable operation of one electric device.

AC Circuit Breaker

Will activate to protect the electric device when current exceeds the allowed current.

Output Indicator

Indicates the power supply status and will light up when the equipment is in operation.

Engine Switch

Starts up and switches off the engine.

Wheels

For ease of use when moving the generator.

Battery

For starting up the generator. If not used for three months the battery may need charging.

Dipstick

For measuring engine oil level. Ensure oil level is between MIN and MAX in the

dipstick of oil filler cap before use. Oil can be added after removing the oil filler cap

Oil Drain Bolt

Unscrew this bolt when replacing the engine oil. Drain out the old engine oil and dispose of it properly according to local laws avoiding damage to the environment

Foot

It is to support the generator.

Grounding Terminal

Is for earthing the generator. Refer to Page 12 for more information.

Handrail Pipe

Handle when lifted has a self locking structure and can be used to move the generator.

Starter Motor

Is to start up the engine.

Air Filter

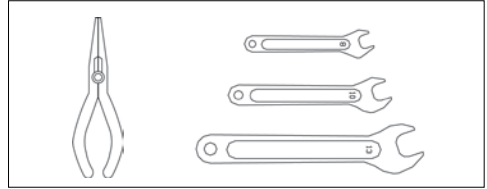
Is to filter air and remove impurities in the air entering the cylinder.

Muffler

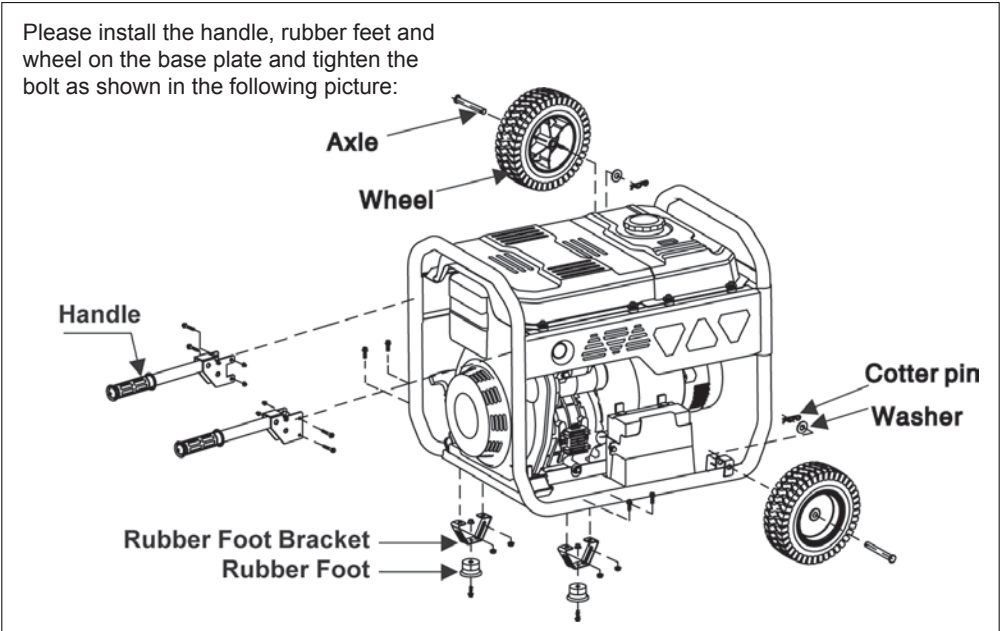
Eliminates noise during operation and also discharges high temperature exhaust. Do not touch it to avoid burns.

Assembling the Generator

Wheel assemblies are included for the convenience of moving the generator. You will need the following tools:



Please install the handle, rubber feet and wheel on the base plate and tighten the bolt as shown in the following picture:



Preparation before Operating



NOTE: *Pre-operation checks should be made each time before operating.*



WARNING: *The engine and muffler will be very hot after the engine has been running. Avoid touching the engine and muffler while they are still hot with any part of your body or clothing during inspection or repair.*

Ground (Earth) Terminal

The Ground (Earth) terminal purpose is to connect the generator frame to a grounding point such as an earth stake to prevent against electric shock from the generator frame in the case of a short circuit or other electrical malfunction of the generator or the connected load. It is not required to be connected for operation of the generator, it is an additional safety feature. If in doubt if grounding protection is required for your application, please check with a registered electrician as to your local regulations.

Adding Engine Oil

The generator has been shipped without engine oil.



WARNING: Do not start the engine until filled with sufficient engine oil. Do not tilt the generator when adding oil. This could result in overfilling and damage to the engine.

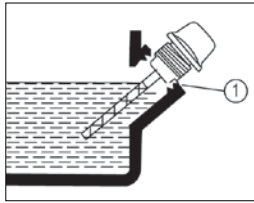
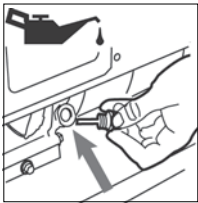
Recommended engine oil:

10W-30 Diesel Oil

Recommended engine oil grade:

API Service SE type or higher

Engine oil quantity: 1.65L



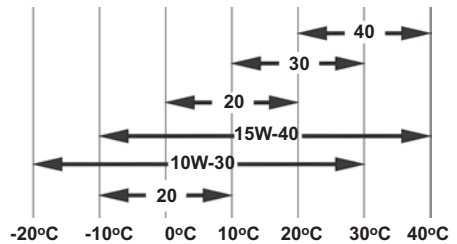
NOTE: Improper treatment of generator could damage it and shorten its life. DO NOT attempt crank or start the engine before it has been properly serviced with the recommended oil. This could result in an engine failure.

- Place generator on a flat, level surface.
- Remove oil cap and dipstick. Wipe dipstick clean.
- Using a funnel, slowly fill oil into engine through the oil filter until it reaches the full mark on the dipstick (1).
- Stop filling occasionally to check oil level. Be careful do not over fill.

- Install oil fill cap and fasten the cap properly.
- Check engine oil level before starting each time thereafter.

Oil Viscosity

Select the appropriate engine oil viscosity based on the ambient temperature and use the SAE Service Grade Viscosity in the Chart



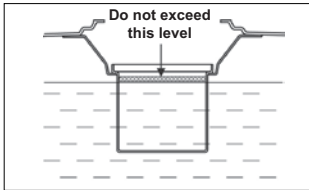
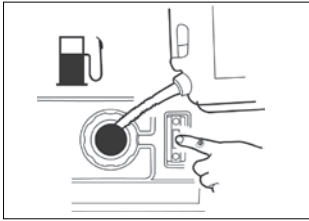
Service Categories: API - CD or higher
ACEA - E3, E4 and E5, JASO - DH-1

Adding Fuel

- Fuel is highly flammable and poisonous. Check SAFETY INFORMATION on pgs 4 - 6 carefully before filling.
- Do not overfill the fuel tank, otherwise it may overflow when the fuel warms up and expands.
- After filling the fuel, make sure the fuel fuel cap is tightened securely.
- Immediately wipe off spilled fuel with a clean dry cloth.
- USE DIESEL FUEL ONLY. The use of any other fuel will cause severe damage to internal engine parts.
- Total fuel tank capacity = 18L



WARNING: Keep away from fire and heat when filling. Do not fill when operating generator.



Starting the Generator

Electric Start

Insert the key into the key switch, Turn the start switch to the 'START' position.



Release the key as soon as the engine starts, it will return to the 'ON' position. If the engine doesn't start, Wait at least 30 seconds before you attempt to start the engine again.

Connecting the Battery

Connect the battery wire to the battery - red for positive and black for negative.



Make sure the nut is screwed tightly. Do not make contact between positive and negative electrodes.

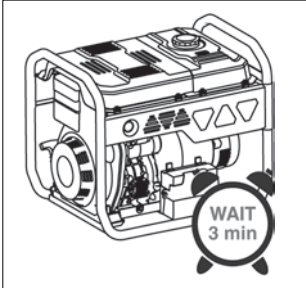
Set Engine Speed Control to Start



Move the lever (1) to the right and click into 'RUN' position (2).

Warming up the Engine

After starting, Warm up the engine without load for about 3 minutes.



Connecting the Load

Access electric equipment and turn the circuit breaker to 'ON'.



Please note that when several loads are used at the same time do not use the next one unless the former one is

running normally. The total power of the loads should not exceed the rated power of the unit.

Shutting Down the Generator

Disconnecting the Load



Disconnect the electric equipment from the control panel of the generator.

Set Engine Speed Control to Stop

After 30 seconds of no-load running press down the stop button (2), the speed control



lever (1) will automatically return to the 'STOP' position.

Turning off the Engine Switch



Turn off the engine switch and the generator unit will be shut down immediately.

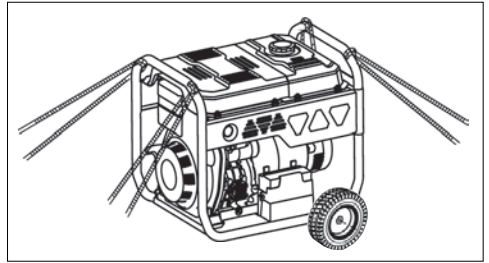


WARNING: The surface temperature of the generator is still high after shutting down and should not be moved or operated before cooling down in order to avoid scalding.

Transporting

Preventing Fuel Spillage

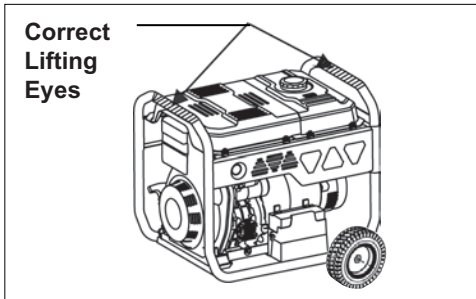
To prevent fuel spillage when transporting or during temporary storage, the generator should be secured upright in its normal operating position with the engine switch OFF. The fuel tap should be turned OFF.



Transporting the Generator

- Do not overfill the tank.
- Do not operate the generator while it is on a vehicle. Take the generator off the vehicle and use it in a well ventilated place.
- Take care not to drop or strike the generator when transporting.

To transport the generator, lift by the correct lifting eyes as shown below.



- Do not place heavy objects on the generator.
- When transporting the generator by loading it on to a vehicle, secure to the generator frame as shown.

Maintenance

Perform maintenance as shown below. More frequent service is required when operating in adverse conditions.

Maintenance Schedule

Daily:

Before Operation:

- **Engine Oil** - Check and top-up
- **Oil Leakage** - Check
- **Air Filter** - Check - Clean or replace
- **Battery** - Check

Daily:

Before and After Operation:

- **Oil Leakage** - Check

After 20 Hrs:

- **Engine Oil** - Replace
- **Oil Filter** - Replace if damaged
- **Intake, Exhaust Valves & Head Clearance** - Adjust *
- **Air Cleaner Element** - Service frequently when used in dusty areas

Every 100 Hrs:

- **Engine Oil** - Replace
- **Oil Filter** - Replace if damaged
- **Air Cleaner Element** - Service frequently when used in dusty areas

Every 200 Hrs:

- **Air Cleaner Element** - Clean or replace
- **Fuel Tank** - Drain and Clean

Every 500 Hrs:

- **Fuel Piping** - Check and replace if damaged
- **Intake, Exhaust Valves & Head Clearance** - Adjust *

Every 1000 Hrs:

- **Fuel Filter** - Check and replace
- **Fuel Injection Nozzle** - Check *
- **Fuel Injection Pump** - Check *
- **Intake Exhaust Valve Seals** - Check * and lap
- **Piston Rings** - Replace *

* Indicates that special tools and skills are required.

General Recommendations

The warranty of the generator does not cover items that have been subjected to operator abuse or negligence. To receive full value from the warranty, the operator must maintain the generator as instructed in this manual.

Some adjustments will need to be made periodically to properly maintain the generator.



NOTE: *If you are not familiar with maintenance work, have a GT POWER Service Dealer do it for safety.*



WARNING: *Stop the engine before starting maintenance work.*

Generator maintenance consists of keeping the unit clean and dry. Operate and store the unit in a clean dry environment where it will not be exposed to excessive dust, dirt, moisture or any corrosive vapours. Cooling air slots in the generator must not become clogged with debris.

- Check for any foreign materials while changing the engine oil and report to repair agent if necessary
- Check the cleanliness of the generator frequently and clean when dust, dirt, oil, moisture or other foreign substances are visible on its exterior surface.



CAUTION: *Never insert any object or tool through the air cooling slots, even if the engine is not running.*

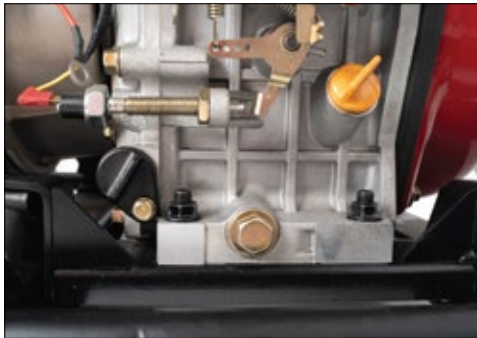


NOTE: *DO NOT use a garden hose to clean generator. Water can enter the engine fuel system and cause problems. In addition, if water enters the generator through cooling air slots, some water will be retained in voids and crevices of the rotor and stator winding insulation. Water and dirt build-up on the generator internal windings will eventually decrease the insulation resistance of these windings.*

Engine Oil Replacement

Avoid draining the engine oil immediately after stopping the engine. The oil is hot and should be handled with care to avoid burns.

1. Place the generator on a level surface and warm up the engine for several minutes.
2. Loosen the screw and take off the engine oil sight glass.
3. Lift and incline the machine; take off the end cap at the bottom plate of machine
4. Remove the oil filler cap.



5. Place an oil pan under the engine, remove the oil drain bolt. Drain the oil from the oil tank.
6. Check oil filler cap, O-ring, Oil drain bolt and Oil filler cap packing .Replace immediately if damaged.
7. Assemble oil drain bolt and oil filler cap packing.
8. Add oil till to a suitable level tighten oil filler cap.
9. Assemble the end cap at the bottom of machine .
10. Insert and screw the oil filler bung in



after oil is level with the lower thread.
(Generator must be on a level surface)



NOTE: Do not tilt the generator when adding engine oil. This could result in overfilling and damage to the engine.

Don't let foreign body fall into engine.

Oil and gasoline could pollute the environment. Do not throw it in the rubbish or pour it on the ground. Dispose of responsibly.

Air Filter

1. Remove air filter housing clips and front panel.
2. Remove paper filter and clean with compressed air carefully. Tap the filter on the ground sharply to remove debris. Take care when using compressed air around the filter element as it is easily damaged - use low air pressure.
3. Replace element, cover and clip into place.



Valve Clearance

Valve clearance should be done by a GT Power Registered Service Technician.

The clearances are 0.1mm for the inlet valve and 0.15mm for the exhaust valve.

Storage

Long term storage of your machine will require some preventive procedures to guard against deterioration.

- Add 5mls of FUELSET fuel conditioner to the fuel tank if you are not using it daily (More information below)
- Leave oil and fuel in the generator and start once every 3 months and run for 5 mins.
- If not used for a period longer than one year the engine oil and fuel must be drained and replaced as per instructions before use.

Protecting the Generator

The unit should be stored in a clean and dry place and should be protected from rain



and high temperature. Shield the unit with a GT Power industrial-grade generator cover, for the ultimate protection against dust, UV rays and more.

Using Fuel Set for Long-Term Storage

Fuel Set is a comprehensive fuel conditioner designed to protect and maintain the integrity of your generator's fuel system during storage. It offers several key benefits:

- Protection Against Diesel Bug: Fuel Set effectively eradicates diesel bug, a common issue in stored diesel fuel that can lead to blockages, corrosion, and system damage.
- Non-Toxic Formula: The conditioner is safe to handle and use, posing no risk to the user or the environment when applied according to instructions.
- Economical Usage: With a mix ratio of 4000:1, Fuel Set is highly economical – 500ml of the conditioner treats up to 2000L of diesel fuel, making it a cost-effective solution for maintaining fuel quality.
- Reduces Running and Maintenance Costs: By safeguarding the fuel system against common storage-related problems, Fuel Set helps in reducing potential running and maintenance costs that can arise from untreated or degraded fuel.

By incorporating Fuel Set into your long-term storage preparation, you're taking an important step in ensuring the GT POWER Diesel Inverter Generator GT5005Di remains in optimal condition, ready for reliable operation when next used.

Environmental Requirements

The environmental requirements of the generator are as follows:

Suitable temperature: -10-40°

Suitable humidity: Lower than 95%.

Suitable altitude: Under 1000 metres (it should be used with lower power in districts higher than 1000 metres).

The generator set can only be loaded to the rated power under the specified environment conditions. If the environment conditions are inconsistent with the above standards or if the cooling conditions of the engine and generator set are defective (for example when running in limited areas) it is necessary to reduce the power. It is also necessary to reduce the power when the temperature altitude and relative humidity exceed the standards.

Troubleshooting

The generator will not start

- *Check diesel fuel is full - top up if necessary.*
- *Check switch is on - turn fuel switch to 'ON' position.*
- *Check fuel switch isn't blocked - Clean if blocked.*
- *Check engine oil - top up if necessary.*
- *Ensure speed control is in the 'RUN' position.*
- *If starter motor does not operate or rotates too slowly - Clean terminals, retighten, check battery and re-charge if necessary.*

Generator won't produce power

- *Check circuit breaker is connected - turn to 'ON' position.*
- *Check plug contacts are connected - Replace socket if necessary.*

Vibration while operating

- *Check diesel fuel - fill fuel tank if necessary.*

Generator emits white smoke

- *The temperature of the engine may be too low - Run the engine with no load for more than 10 minutes.*
- *The fuel oil may be contaminated - Replace with clean oil.*

Generator emits black smoke

- *The air filter may be dirty - Clean the filter element of the air filter.*
- *The load may be too high - Reduce load to the rated limit.*

Generator emits blue smoke

- *There may be too much engine oil - Drain some oil.*
- *The engine oil used may be the wrong type - Drain oil and replace with appropriate engine oil.*

The power decreases

- *The fuel system may be blocked - Have a qualified GT Power Technician purge the fuel system and check filters.*
- *The air filter element may be clogged - clean or replace air filter element.*

If problem persists contact your local registered GT Power Service Dealer or visit www.gtpower.co.nz for more information.

Calculating Your Power Needs

Firstly add up all the “running wattage” requirements for all items that you need to power simultaneously. Next, add to that total the highest of the “starting wattages” you listed down. Now you know approximately how much power you need to start and run your appliances and equipment.

Item	Running Watts	Starting Watts
Essentials		
Light Bulb	100	100
Refrigerator/Freezer	1200	2400
Sump Pump	600	1800
Well Pump 1HP	2000	4000
Water Heater	4000	
Security System	180	
AM/FM Radio	300	
Garage Door Opener ½ HP	500	600
Battery Charger 12V	110	
Heating and Cooling		
Air Conditioner 12000 BTU	1700	2500
Fan	300	600
Furnace Fan 1/3 HP	1200	2000
Home Appliances		
Microwave	1000	
Electric Range – One Element	1500	
Electric Skillet	1250	
Coffee Maker	1500	
Clothes Washer	1200	
Entertainment		
CD/DVD Player	100	
Stereo Receiver	450	
Television 27”	500	
PC with 15” Monitor	800	
Job Site		
Belt Sander 3”	1000	1500
Bench Grinder 6”	700	1500
Circular Saw	1500	1500
Compressor 1 ½ HP	1000	1000
Edge Trimmer	500	500
Hand Drill ½”	1000	1000
Paint Sprayer	600	1200
Table Saw	2000	2000

These are estimates only. Check your tool or appliance for exact wattage requirements. The wattages listed are based on estimated wattage requirements.

Warranty

As part of an on-going commitment to excellence in product support, Euroquip offers a comprehensive product warranty program.

1. THIS WARRANTY:

The benefits provided to the consumer in this warranty are in addition to other rights and remedies of a consumer under the New Zealand Consumer Guarantees Act 1993 and any other laws in relation to the products to which this warranty relates. This warranty:

- Covers the product against faulty materials or workmanship; and
- Covers the replacement of parts, the repair labour used, a refund of the price of the product or replacement of the machine, or other compensation for the remainder of the warranty period.

This product warranty is only applicable to the original purchaser of the machine and only purchases made from Euroquip Authorized Retailers.

2) WARRANTY PERIODS:

Commercial Warranty*: 2 Years (24 months)
Domestic Warranty* : 4 Years (48 months)

Or

1000 hours of operation – whichever occurs first.

Domestic Warranty applies to domestic use of the product: Personal, residential, or household use only. Commercial Warranty applies to commercial or business use of the product: All uses other than domestic use, including use for income-producing (including farming) or rental purposes.

*These GT Power Warranty periods are for products that are:

- Purchased from a New Zealand GT Power Dealer after 01/06/23
- Serviced by a GT Power Dealer in accordance with the GT Power service schedule, using genuine parts and the correct grade of oil (proof required)
- Meeting all other warranty requirements

NOTE: These warranty conditions apply to New Zealand only.

Euroquip warrants each new GT Power machine free from defect in material and workmanship under normal use and routine servicing, for the warranty periods specified. Conditional to the limitations and exclusions list below. The warranty period begins when the product is purchased by the end user. Warranty is not transferrable and is only claimable by the original purchaser.

Proof of purchase documentation with product serial number must be provided. If it has been lost and Euroquip does not have a record of the purchaser's details, the warranty period shall be calculated from the appropriate dealer wholesale sale date.

The purchaser must keep a record of all service and maintenance history as proof of servicing history. This may be requested when assessing any future warranty claims. The decision that an issue with a product qualifies as a warranty claim is made at the sole jurisdiction of Euroquip.

No costs incurred will be considered under warranty if repairs or maintenance are carried out by any party other than a Euroquip Approved Service Agent, unless with prior consent in writing from Euroquip.

It is the full responsibility of the purchaser to deliver the product under warranty to the nearest relevant service agent or product reseller. Warranty does not cover transportation costs including call outs, mileage and freight costs.

Customers are responsible for the care and cleaning of their product prior to sending it to our service centre. Any product being sent us must be thoroughly cleaned. Depending on what the product has come into contact with, it could pose an Occupational/ Work Health and Safety risk for our staff and or/service agents to inspect, repair or service a product that has come into contact with a hazardous substance. If we are asked to inspect, repair or service a product that has come into contact with a hazardous substance such as chemicals, asbestos or silica dust, we may not be able to inspect, service or repair the product. If this is the case, we will inform the purchaser and the product will be returned.

If a product is repaired under warranty, parts and labour required for the repair will be supplied at no charge. All defective parts replaced under warranty become property of Euroquip. Consumable items such as, but not limited to, oils, coolants, filter and spark plugs shall be the responsibility of the owner. Warranty assessment and repair will be scheduled and executed according to the normal work flow at the service location and depending on the availability of suitable replacement parts.

This warranty policy is an additional benefit and does not supersede the legal rights of any customer, reseller or service agent.

Should any issue be found to be a combination of a warranty failure and a non-warranty issue such as incorrect charging techniques, the repair cost component to rectify and repair the non-warranty failure is the **customer's** full responsibility.

3) EXCLUSIONS:

- Warranty does not cover parts that are subject to wear and tear from usage and/or damage which results from neglect of periodic maintenance.
- Evidence must be provided that the product has been maintained and serviced suitably for a claim to be considered under warranty.
- Batteries supplied with your product are warranted against defect for 3 months and does not include lack of charge due to non-use. Consumable items such as, but not limited to, oils, coolants, filters, spark plugs and batteries shall be the responsibility of the purchaser.
- Failure caused by incorrect operation of the product as specified in the manual either intentionally or by error.
- Lack of proper care and maintenance of the product.
- Any damage which results from unavoidable natural disasters, fire, collision, theft, etc.
- Any normal wear or deterioration, such as that of sliding or rotating parts caused under normal operating conditions.
- Any damage that results from misuse or use beyond the limitations of the products intended purpose (such as overloading or use under abnormal conditions).
- External circumstances such as product deterioration or corrosion due to environmental conditions like heat, cold, salt spray, sand or due to the passage of time
- Normal phenomena such as noise, vibration or oil seepage which are considered by Euroquip as not affecting the quality, function or performance of the product.
- Any damage due to improper storage or transport.
- Consumable replacement items: Spark plugs, contact points, shear pins, fuel strainers, oil filter elements, air cleaner elements, brake shoes or pads, clutch components, fuses, motor brushes, gaskets, tube or hoses, belts, cutting blades, light bulbs, serviceable bearings. Petroleum and others fluids: Oil, grease, battery electrolyte, and radiator coolant. Other items specified by Euroquip.
- Periodical maintenance items such as cleaning, inspection and adjustments.
- Contaminated fuel
- Modifications or installations of other products to the product
- Damage that results from the use of non-genuine parts, lubricant or fluid not approved by Euroquip
- Any repair and/or adjustment to correct improper or poor quality work previously performed.
- Attempted repair/ service by a party other than an Approved Service Agent, or any repair undertaken prior to approval of warranty by Euroquip is not covered under warranty.
- Warranty does not cover pre delivery service and adjustment, or failure that may occur as a result of lack of/ incorrect pre delivery service and adjustment. Warranty does not cover any incidental, indirect or consequential loss, damage, personal injury, or expense that may result from any defect, failure, malfunction, or misuse of a product.
- Any product that is found to have come into contact with hazardous substances such as chemicals, asbestos or silica dust and NOT been industrially cleaned prior to servicing.

4) HOW TO CLAIM WARRANTY:

In the event you are faced with a manufacturing fault with your GT Power product, you can claim a repair or part replacement under warranty if the following conditions are fulfilled:

- The problem is related to production quality or specifications of the machine
- The machine is within the warranty period outlined in schedule
- The issue does not fall within the warranty exclusions listed

If the criteria above is met, and you would like to request a warranty, then please go online to <https://www.euroquip.co.nz/Service-Request-End-User> and log your warranty claim.



GT5005Di DIESEL INVERTER GENERATOR



Congratulations on your new GT POWER product. We are proud to have you as our customer and will strive to provide you with the best service and reliability in the industry. This product is backed by our extensive warranty and world-wide service network. To locate your nearest distributor or service agency visit www.gtpower.co.nz, or email us at sales@euroquip.co.nz